



Level



Pressure



Flow



Temperature



Liquid Analysis



Registration



Systems Components



Services

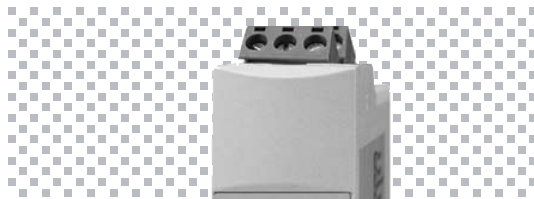


Solutions

Power supply RNS221

E-direct

www.e-direct.us



- Two-channel supply for two 2-wire sensors or transmitters
- Galvanic isolation between all circuits
- LED status indicators
- Wide range power supply 20 to 253 V AC/DC, 50/60 Hz
- Top hat (35 mm) DIN rail mounted housing to EN 50 022-35
- HART® docking sockets and built-in 250Ω resistor

Application

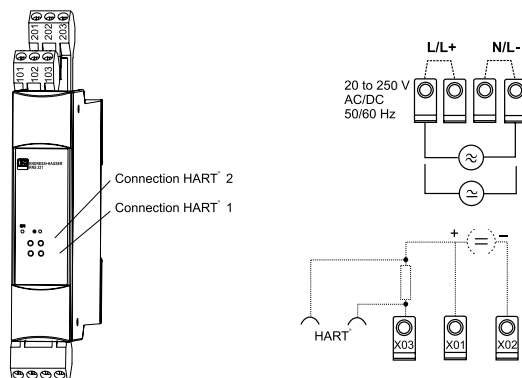
The unit supplies two 2-wire sensors or transmitters galvanically isolated. This is only valid for non-hazardous areas. Using the HART® communication sockets allows bi-directional communication to SMART transmitters (for setup, etc.)

Measurement principle

The power supply has two galvanically isolated outputs for supplying voltage to sensors and transmitters. A built-in communication resistance ($R = 250\Omega$) enables bi-directional HART® communication with SMART sensors and transmitters.

The system includes two channel power supply, 24 VDC, 30 mA, with LED status display for electrical supply of sensors and transmitters. All circuits are galvanically isolated from each other. The unit is constructed of 35 mm top hat DIN rail mounting.

Electrical connection



Approvals: UL Recognized	AC or DC powered
------------------------------------	-------------------------

HART® is a registered trademark of HART Communication Foundation, Austin, USA

	Terminal layout	In and outputs
L / L+	L for AC, L+ for DC	Input for power supply
N / L-	N for AC, L- for DC	
X01	Power supply to transmitter 1 and 2 (+)	Output for transmitter power supply
X02	Power supply to transmitter 1 and 2 (-)	
X03	Power supply to transmitter 1 and 2 with integrated HART® communication resistance ($R = 250\Omega$) (+)	
HART®	HART® communication to SMART transmitter	Communication sockets CH 1, CH 2

RNS221

Technical data

Power supply

- Power supply Wide range power supply, 20 to 250 V AC/DC, 50/60 Hz, $I_{max}/I_n < 15$
- Power consumption $P \leq 5W$
- Power failure To EN 61000-4-11

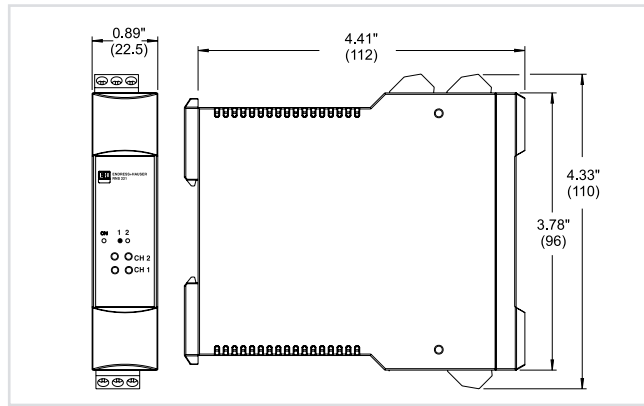
Output

- Output signal Two channels for transmitter power supply, open circuit voltage 24 V $\pm 10\%$, with integrated HART® communication resistance $R = 250\Omega$ for each output.
- Output current circuit Maximum 30 mA. Short circuit current, both channels are continuously short circuit protected.
- Galvanic isolation Between all circuits

Operating conditions

- Ambient temperature range -4 to +140 °F
- Storage temperature range -22 to +158 °F
- Climatic classification To EN 60 654-1 Class B2
- Ingress protection NEMA 1
- EMC / Immunity To EN 61 326, transmission Class A, Immunity to EN 61 326 industrial environment
- Over voltage protection To IEC 61 010-1, Category II, installation protection fuse $\leq 10 A$
- Installation hints The installation area must be vibration-free.
Keep within the permitted ambient temperature range of 0 to 140 °F.
Protect the unit from extreme heat sources

Dimensions in inches (mm)



Mechanical construction

- Weight < 1 lb (approximately 0.140 kg)
- Materials Housing, plastic, PC/ABS, UL 94V0
- Terminals Power and signal connections, keyed plug-on screw terminal, 16 AWG solid wire; 18 AWG for stranded wire with ferrule.
Communication connection sockets, 2 mm on front panel of unit.

User interface

- Display elements 2 yellow illuminated LEDs with connected outputs
1 green illuminated LED with main power connection
- Failure signal LEDs do not illuminate

Approvals

- Certification UL Recognized UL 3111-1 

Many other models, versions and options are available.
Please contact Endress+Hauser for more information.

Product	Version	Order no.	Price/piece in \$			we hereby order:	total price:
			1 to 5	6 to 15	16 to 35		
RNS221	Power supply 20 to 250 V AC/DC	RNS221-A1	\$192.00	\$173.00	\$156.00	pcs	\$

Accessories	NEMA 4X protective housing	51002468	\$114.00	pcs	\$
-------------	----------------------------	----------	----------	-----	----

Net excluding cost of shipping and taxes.
Acceptance per our Standard Terms and Conditions (find at www.e-direct.us).

Total price:

FOB Greenwood, IN; shipped pre-paid; shipping charges and applicable taxes added to invoice.

\$ _____

E-direct catalog (free)

Shipping method

- Ground Priority One Day Priority Two Day

E-direct

E-direct
Endress+Hauser, Inc.
2350 Endress Place
Greenwood, IN 46143

(For customers in the USA only)

Online Shop www.e-direct.us
Order: by phone 888-EH DIRECT (343-4732)
by fax 800-321-7754
For special requests, e-mail us: e-direct@us.endress.com

Warranty

Should an instrument fail during the 1 year warranty period, a replacement unit will be provided.

Delivery

Shipment from receipt of order for quantities 1-3 within 2 business days.

Endress+Hauser 

People for Process Automation