

NEMA 4X protective housing for field mounting  
DIN rail instruments

## DIN rail protective housing

**E-direct**

www.e-direct.us



- Protection of DIN rail instruments from dust, humidity and aggressive atmospheres
- NEMA 4X protection
- 35 mm DIN rail built in according to EN 50 022
- Five PG cable glands installed
- Housing cover can be sealed

### Application

This housing provides protection for DIN rail mounted instruments in harsh industrial environments. Within the transparent cover, it is possible to read the displays and condition indicators without opening the housing. Five (5) cable glands are available for cabling and connection of the installed units. Field applications, such as pump control in the wastewater industry and level monitoring in vessels in process applications can be economically covered.

For use with DIN rail components such as E-direct items:

- Process Transmitter RMA421 (see Technical Datasheet 007E/US/ae)
- Power Supply RNS221 (see Technical Datasheet 015E/US/ae)
- Active Barrier RN221N (see Technical Datasheet 006E/US/ae)
- iTemp Temperature Transmitters TMT127/128 (see Technical Datasheet 009E/US/ae)
- Nivotester FTW325 Level limit switch (see Technical Datasheet 026E/US/ae)
- Alarm Contactor RTA421 (see Technical Datasheet TD008E/US/ae)

<b>Protection:</b> NEMA 4X	<b>Process connection:</b> 1 - PG 13.5 cable gland, 4 - PG 11 cable glands
<b>Weight:</b> < 1 pound	<b>Ambient temperature:</b> -40 to +180 °F



RMA421



RTA421



RNS221



RN221N



TMT127  
TMT128



FTW325

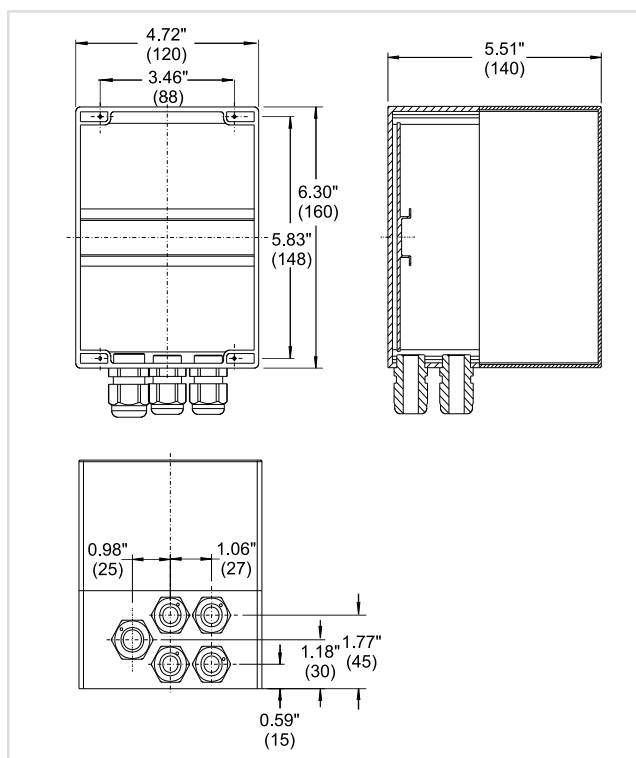
# DIN rail protective housing

## Technical data

### General

- Installation hints Always select installation point so that the internal temperature of the installed instrument does not exceed or fall below the permitted temperature values
- Ambient temperature -40 to +180 °F = maximum value of the housing only, with installed instruments
- Protection NEMA 4X
- Weight < 1 lb. (approximately 0.62 kg)
- Material Housing and PG cable glands, Polycarbonate (PC)  
Cover screws, stainless steel
- Process connection 1 – PG 13.5 cable gland, 4 – PG 11 cable glands

## Dimensions in inches (mm)



Many other models, versions and options are available. Please contact Endress+Hauser for more information.

Product	Version	Order no.	Price/piece in \$			we hereby order:	total price:
			1 to 5	6 to 15	16 to 35		
51002468	NEMA 4X protective housing for DIN rail instrument mounting	51002468	\$114.00			pcs	\$

Net excluding cost of shipping and taxes.  
Acceptance per our Standard Terms and Conditions (find at [www.e-direct.us](http://www.e-direct.us)).

### Total price:

FOB Greenwood, IN; shipped pre-paid; shipping charges and applicable taxes added to invoice.

\$ \_\_\_\_\_

E-direct catalog (free)

Shipping method  Ground  Priority One Day  Priority Two Day

# E-direct

E-direct  
Endress+Hauser, Inc.  
2350 Endress Place  
Greenwood, IN 46143

(For customers in the USA only)

Online Shop [www.e-direct.us](http://www.e-direct.us)  
Order: by phone 888-EH DIRECT (343-4732)  
by fax 800-321-7754  
For special requests, e-mail us: [e-direct@us.endress.com](mailto:e-direct@us.endress.com)

### Warranty

Should an instrument fail during the 1 year warranty period, a replacement unit will be provided.

### Delivery

Shipment from receipt of order for quantities 1–3 within 2 business days.

# Endress+Hauser

People for Process Automation